

MSUD VALVE PLUG FORM A 18MM

PUR 5X0.75 GRAY, 7.5m

MSUD

Form A (18 mm)

24 V DC $\pm 25\%$

LED (yellow/green)

for pressure switches

PE opposite cable entry (180°)

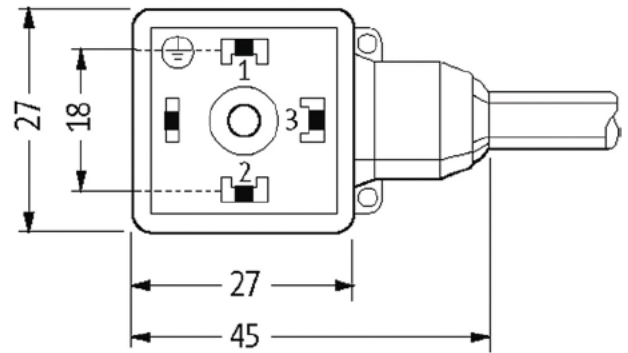
Further cable lengths on request.

Plastic housings with good resistance against chemicals and oils.

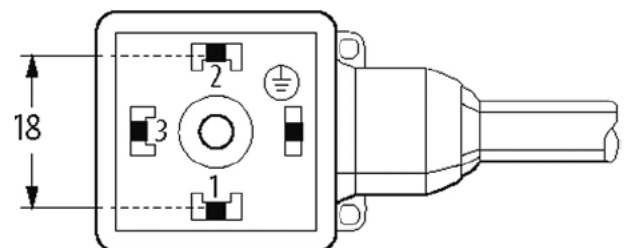
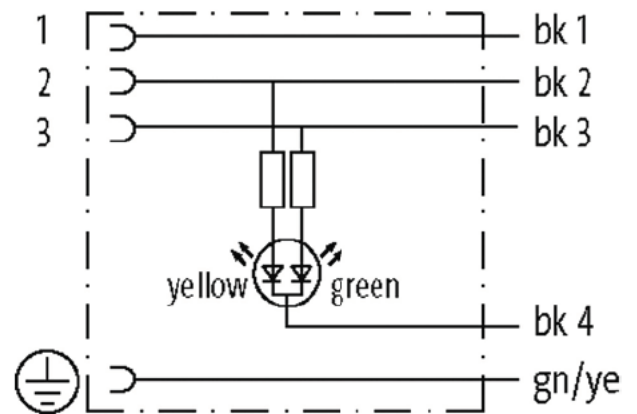
The resistance to aggressive media should be individually tested for your application. Further details on request.

[Link to Product](#)

Illustration



Height: 30 mm



Product may differ from image

Approvals



Form	
Form	8 5
General data	
Temperature range	25 +85 °C depending on cable quality
Cables	
No /diameter of wires	5 × 0.75 mm ²
Wire isolation	PVC (bk num gnye)
C track properties	2 Mio
Material (jacket)	PUR/PVC (UL/CSA)
Outer Ø	7.0 mm 5%
Bend radius (moving)	5 × outer Ø
Temperature range (fixed)	30 +80 °C
Temperature range (mobile)	5 +80 °C
Cable identification	228
Cable Type	2 (PUR/PVC)
Approval (cable)	UL (AWM Style 20549/ 73) CSA; CE conform
Cable weight [g/m]	84.70
Material (wire)	Cu wire bare
Resistor (core)	max 26 Ω/km (20 °C)
Single wire Ø (core)	0.5 mm
Construction (core)	42 × 0.5 mm (multi strand wire class 6)
Diameter (core)	5 × 0.75 mm ²
AWG	similar to AWG 8
Material (wire isolation)	PVC
Material property (wire isolation)	CFC cadmium silicone and lead free
Shore hardness (wire isolation)	43 5 D
Wire Ø incl isolation	8 mm 5%
Color/numbering of wires	bk numbered gnye longitudinally striped
Stranding combination	5 wires twisted around central filler
Shield	no
Material (jacket)	PUR/PVC
Material property (jacket)	CFC halogen cadmium silicone and lead free matt low adhesion machine easy to process abrasion resistant hydrolysis and microbial resistant
Shore hardness (jacket)	80 5 A (PVC under jacket); 85 5 A (PUR jacket)
Outer Ø (jacket)	7.0 mm 5%
Color (jacket)	gray
chemical resistance	good resistance to oil gasoline and chemicals
Nominal voltage	UL 300 V AC
Test voltage	2000 V AC
Current load capacity	to D N VDE 0298 4
Temperature range (fixed)	30 +80 °C
Temperature range (mobile)	5 +80 °C
Bend radius (fixed)	0 × outer Ø
Bend radius (moving)	5 × outer Ø

No. of bending cycles (C track)	max 2 Mio (25 °C)
Traversing distance (C track)	max 5 m (horizontal)
Travel speed (C track)	max 3.3 m/s
Acceleration (C track)	max 5 m/s ²
Jacket Color	gray

Technical Data

Operating voltage	24 V DC 25%
Operating current per contact	max 4 A
Locking of ports	M3 (recommended torque 0.4 Nm)
Housing	Black plastic (gray on request)
Protection	P66K P67 inserted and tightened (EN 60529)

Commercial data

country of origin	CZ
customs tariff number	85444290
EAN	4048879363426
eClass	272792 8
Packaging unit	